

MCCULLOCH[®] ***PARTNER***

ILLUSTRATED PARTS LIST

MAC 538E-540E-545E
CALIFORNIA
EUROMAC S42-S44-S45
PARTNER P538

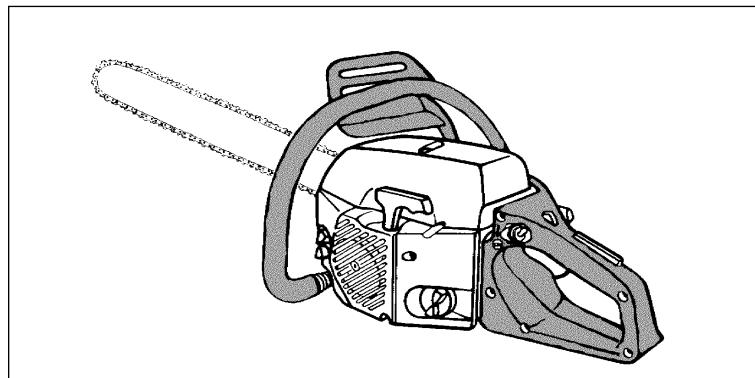
9539002-20 Mac 538E

9539002-23 Mac 540E

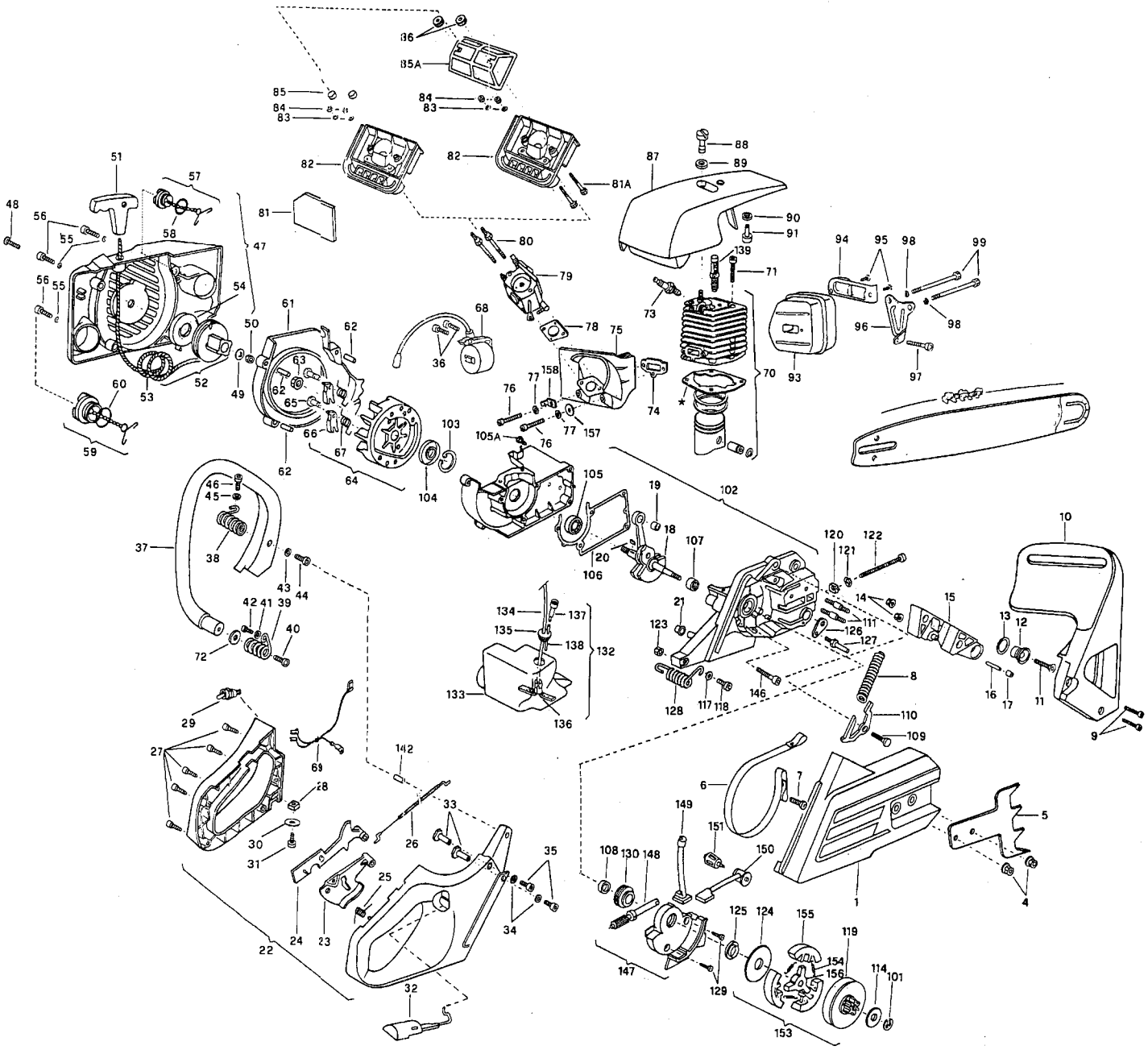
9539002-24 California

SERIAL NUMBER PREFIX 01

CE



September 2000



B Kit gasket PN 538247249 (*-58-60-74-78-106-125)
 B Kit guarnizioni PN 538247249 (*-58-60-74-78-106-125)
 B Kit joint PN 538247249 (*-58-60-74-78-106-125)
 B Kit dichtung PN 538247249 (*-58-60-74-78-106-125)

FIGURE 1

9539002-20 Mac 538E
 9539002-23 Mac 540E
 9539002-24 California

* C	1	538248438	1	B	81	538241238	1
A	4	538235217	2		81A	538240334	M4x40 1
* C	5	538241993	1		82	538240262	1
B	6	538235073	1		83	538235248	2
	7	538235812	1		84	538235216	2
	8	538235076	1		85	538241239	2
	9	538235806	M5x20 2	B	85A	538240263	1
* C	10	538241907	1		86	538240322	2
*	11	538241905	1	*	87	538241998	38-40cc McC 1
*	12	538241904	1	*		538241995	46cc McCulloch 1
*	13	538241906	1			538242063	California 1
	14	538235642	1			538241515	Euromac 1
*	15	538241902	1	*		538241931	Partner 1
*	16	538242017	1		88●	538240320	1
*	17	538241903	1		89●	538240321	1
*	18	538241871	38-40cc 1		90●	538236936	1
		538241873	46cc 1		91●	538240272	1
C	19●	538235742	38-40cc 1		93	538240291	1
C		538227329	46cc 1		94●	538240297	1
C	20	538227631	1		95●	538236981	2
	21	538235672	1		96	538240299	1
C	22	538240339	1		97	538236997	M5x30 1
C	23●	538240301	1		98	538227626	2
C	24●	538240302	1		99	538227567	M5x70 2
	25●	538240303	1		101	538229137	1
C	26●	538240367	1	*	102	538248497	1
	27●	538240862	1		103●	538235899	1
	28	538229524	1	* C	104●	538241879	1
C	29	538240859	1		105●	538235900	1
	30	538227259	1		105A●	538241077	1
	31	538240845	M5x16 1		106●	538240312	1
C	32	538247259	1		107●	538241253	1
	33	538240315	2	C	108●	538228872	1
	34	538235248	2		109●	538235075	1
	35	538235802	M5x14 2		110●	538094006	1
	36	538235806	M5x20 2	* B	111●	538241880	M6 2
	37	538240281	1		114	538235287	2
B	38	538241231	38-40cc 1		117	538227259	1
B		538240289	46cc 1		118	538235806	M5x20 1
B	39	538240285	1	B	119	538240260	3/8 1
	40	538240354	1	B		538240266	.325 1
	41	538235248	1	* B	120	538241908	1
	42	538235802	M5x14 1	B	121	538235367	1
	43	538235248	1	* B	122	538241909	1
	44	538235803	M5x25 1		123	538235642	1
	45	538227259	1		124	538241346	1
	46	538235802	M5x14 1	*	125	538242006	1
* C	47	538240336	McCulloch 1		126	538240309	1
C		538241933	Partner 1	C	127	538240363	1
	48●	538240316	M5x35 1	B	128	538240286	1
	49●	538240921	1		129	538235802	M5x14 2
	50●	538229208	1	C	130	538241882	1
	51●	538240884	1		132	538240920	1
B	52●	538235372	1		133●	538240300	1
A	53●●	538235042	1	B	134●	538240868	1
B	54●	538235040	1	C	135●	538235675	1
	55	538235248	3	A	136●	538240452	1
	56	538236997	M5x20 3	C	137●	538227582	1
B	57	538240866	1		138●	538229716	1
C	58●	538235511	1		139	538094273	1
B	59	538240865	1		142	538240323	1
C	60●	538235510	1		146	538236997	M5x30 4
	61	538247290	1	* B	147	538241883	1
	62●	538240358	3	* C	148●	538241885	1
	63	538235218	1	*	149●	538241895	1
	64	538241204	1	*	150●	538241896	1
B	65●	538235516	2	C	151	538225062	1
B	66●	538235517	2	*	153	538242004	1
B	67●	538235518	2	B	154●	538240926	3
C	68	538241291	1		155●	538227359	3
C	69●	538240370	1	*	156●	538242005	1
C	70	SEE FIGURE 2			157	538235248	1
	71	538227565	M5x25 4		158	538228139	1
	72	538236934	1				
A	73	538092879	1				
B	74	538240345	1				
	75	538240271	38-40cc 1				
		538240261	46cc 1				
	76	538236997	M5x30 1				
	77	538236529	1				
A	78	538227692	1				
C	79	SEE FIGURE 3					
	80	538240328	2				

A= High Moving

B= Medium Moving

C= Slow Moving

* = New Part

9539002-20 Mac 538E

9539002-23 Mac 540E

9539002-24 California

	38cc	C 1 538247253 1 B 2 ● 538240343 1 C 3 ● 538247256 1 4 ●● 538235008 2 B 5 ●● 538240005 2
	40cc	C 1 538247254 1 B 2 ● 538240343 1 C 3 ● 538247257 1 4 ●● 538235008 2 B 5 ●● 538240085 2
	46cc	* C 1 538248500 1 B 2 ● 538240343 1 C 3 ● 538247258 1 4 ●● 538229544 2 B 5 ●● 538240353 1

FIGURE 2

WALBRO WT 414	ZAMA C1Q M39																																																
<table border="0"> <tr> <td>* C</td> <td>-</td> <td>538240350</td> <td>carbur.</td> </tr> <tr> <td>B</td> <td>1</td> <td>● 538247260</td> <td>1</td> </tr> <tr> <td>A</td> <td>2</td> <td>●● 538229191</td> <td>1</td> </tr> <tr> <td>C</td> <td>3</td> <td>● 538247261</td> <td>1</td> </tr> <tr> <td></td> <td>4</td> <td>● 538237481</td> <td>1</td> </tr> <tr> <td></td> <td>5</td> <td>● 538247388</td> <td>1</td> </tr> <tr> <td></td> <td>6</td> <td>● 538246540</td> <td>1</td> </tr> <tr> <td></td> <td>7</td> <td>● 538229601</td> <td>2</td> </tr> <tr> <td></td> <td>8</td> <td>538247387</td> <td>1</td> </tr> </table>	* C	-	538240350	carbur.	B	1	● 538247260	1	A	2	●● 538229191	1	C	3	● 538247261	1		4	● 538237481	1		5	● 538247388	1		6	● 538246540	1		7	● 538229601	2		8	538247387	1	<table border="0"> <tr> <td>* C</td> <td>-</td> <td>538242062</td> <td>carbur.</td> </tr> <tr> <td>B</td> <td>1</td> <td>● 538226226</td> <td>1</td> </tr> <tr> <td>* A</td> <td>2</td> <td>●● 538226227</td> <td>1</td> </tr> </table>	* C	-	538242062	carbur.	B	1	● 538226226	1	* A	2	●● 538226227	1
* C	-	538240350	carbur.																																														
B	1	● 538247260	1																																														
A	2	●● 538229191	1																																														
C	3	● 538247261	1																																														
	4	● 538237481	1																																														
	5	● 538247388	1																																														
	6	● 538246540	1																																														
	7	● 538229601	2																																														
	8	538247387	1																																														
* C	-	538242062	carbur.																																														
B	1	● 538226226	1																																														
* A	2	●● 538226227	1																																														

FIGURE 3

A= High Moving
B= Medium Moving
C= Slow Moving
* = New Part

9539002-20 Mac 538E
9539002-23 Mac 540E
9539002-24 California